

# HELIOS PROFILE SPOTLIGHTS RANGE

Helios Luminaires are available with an electronic ballast built into a separate compartment, which can be fitted to the units hoop or fitted separately.

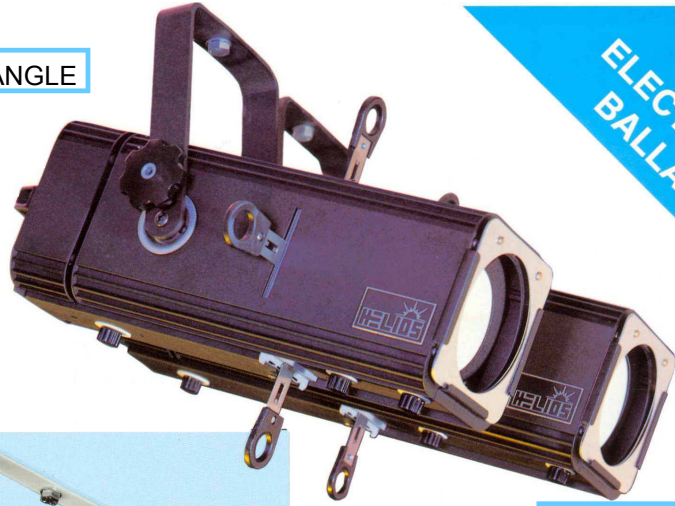
The Helios Luminaires are constructed from aluminium extrusions, formed aluminium and steel sheet. The spotlights contain a reflector and a G12 lamp holder for a 150W or 70W metal halide discharge lamp.

All Helios Luminaires come in Black or White (RAL 9010) epoxy powder finish, as standard, but most colours are available to order. The electronic ballast is supplied with a 1.5 metre 3 core mains cable which connects directly to a 230v supply and a shrouded 3 pin connector to the fixture.

The Helios control gear is constructed from aluminium extrusions and formed aluminium sheet. They are rated 230V primary and 95V lamp secondary. The yokes on both the Luminaires and the single control gear can be used with most types of suspension equipment and tilt adjustment is by means of a T handle grip knob and clamping disc on each unit.

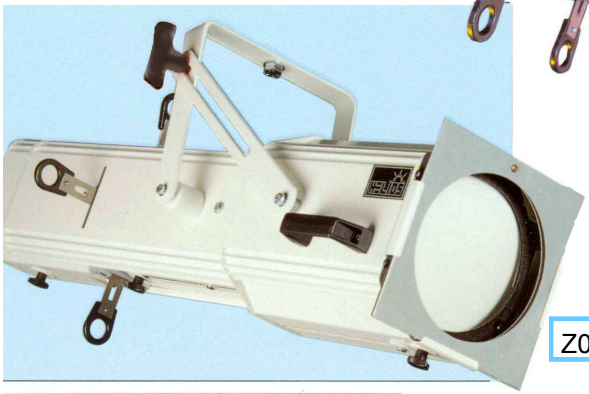
Helios Profile spotlights can be tuned externally for Peak or Flat beam performance by adjustment to the lamp within the reflector. In front of the lamp & reflector is a 50mm diameter gate fitted with four independently operated stainless steel shutters which allow the beam to be shaped, and guides to hold the optional iris diaphragm, or gobo pattern holder, while front runners retain the colour frame,

Z0603D WIDE ANGLE



NOW WITH ELECTRONIC BALLAST

Z0602D MEDIUM ANGLE

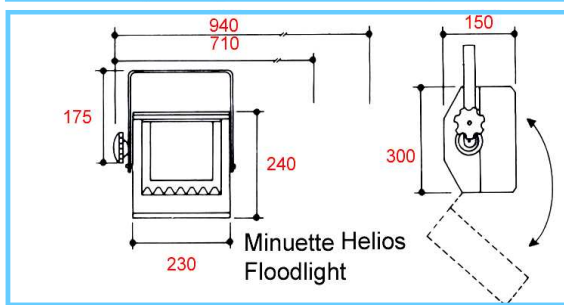
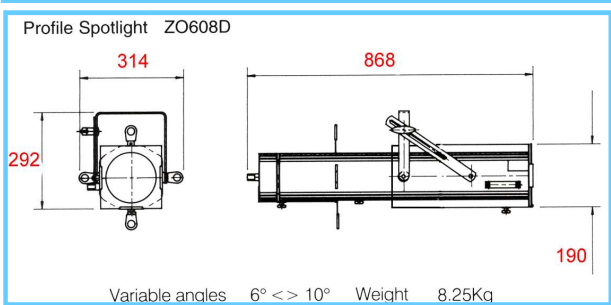
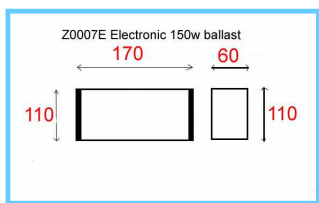
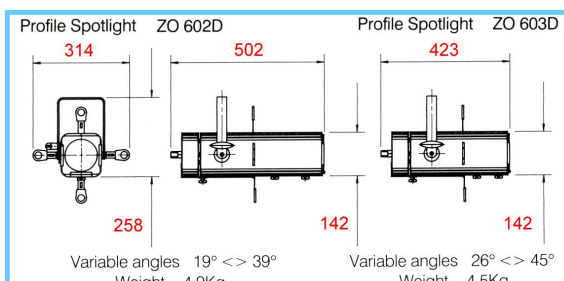
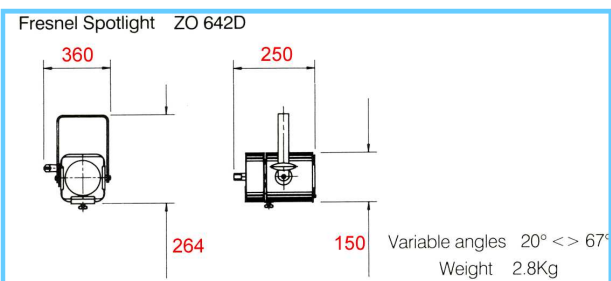


Z0608D LONG THROW NARROW ANGLE



The Zoom lenses on the three profile Spotlights provide hard or soft focusing of the beam. The angle of beam varies - on the wide angle 26° < > 45°, on medium angle unit 19° < > 39° and on the long throw unit 6° < > 14°. Profiles are perfect for applications where a precisely lit area of virtually any shape is required. Etched stainless steel patterns (Gobos) custom designed or from our large library stock can be projected giving an endless choice of various effects. Toughened glass colour images can be made to your design - ideal for company or product logos.

**SPECIAL EFFECT LIGHTING OF THE CLOCKFACE USING LONG THROW PROFILE SPOTLIGHTS**





# HELIOS FRESNEL SPOTLIGHT



Helios Fresnel spotlights have a fixed borosilicate Fresnel lens and the lamp chassis is externally adjustable for beam angle selection. Fresnel spotlights produce a soft edged variable beam particularly suitable for subtle three dimensional modelling and highlighting. The variable beam angle of 26<->67 deg allows a wide choice of throw and beam dimensions. Barndoors & theatre colour filters are available as accessories, the later being available in an enormous colour range and enjoying a long life in these units due to the low heat output from the discharge Lamp.

Z0642D SOFT EDGED FRESNEL WITH BARNDOOR AND ELECTRONIC BALLAST

Z0C46D FLOODLIGHT



Shown with optional barndoors

Helios Floodlights have been designed to give an even Asymmetric beam of light, ideal for general wash illumination of walls, vertical displays and the like. A sprung colour frame is finger located and can be rapidly fitted to the front magazine. The 150w double ended lamp is supported on two R7 lamp holders and the user is protected when changing the lamp by a manual disconnect.



# HELIOS FLOODLIGHT

6000 hrs long life lamps with 70w or 150w lamp options with 3000 or 4200 Kelvin colour temperatures (Daylight or Artificial). Low operating temperatures and also low Ultra Violet emissions. Flexible lighting, helping create subtle or dramatic effects Minimum Re-lamping and substantial operating & power savings

**CCT Lighting (UK) Limited**  
 Unit 3 Ellesmere Business Park  
 Haydn Road, Sherwood  
 Nottingham  
 NG5 1DX  
 Tel: 44 (0)115 985 8919  
 Fax: 44 (0)115 985 7091  
 Email: office@cctlighting.co.uk  
 Website: www.cctlighting.com

HELIOS ACCESSORIES	
SPARE COLOUR FRAMES	
	REF
Z0642D/Z0602D/Z0603D	Z0431
Z0C46D	Z0C45
Z0608D	Z0011
BARNDOORS	
Z0642D	Z0043
Z0C46D	Z0B46 (STRAIGHT)
Z0C46D	Z0B47(TOOTHED)
DROP IN IRIS	
Z0602D/Z0603D/Z0608D	Z0433
ROTO GOBO HOLDER	
Z0602D/Z0603D/Z0608D	Z0100