



Z0603P Minuette 30-48 Deg Condenser Variable Beam Profile

This Profile zoom spotlight with its wide beam angle is ideal for on-stage and high definition Gobo (pattern) work on short throws.

Condenser zoom profiles are ideal for projection work as the zoom range between 30 to 48 deg allows the operator to match the projected image size of two units even when they are not able to be hung at equal distances from the screen or Cyclorama .

In all other aspects this unit is similar to the Z0602P Zoom profile

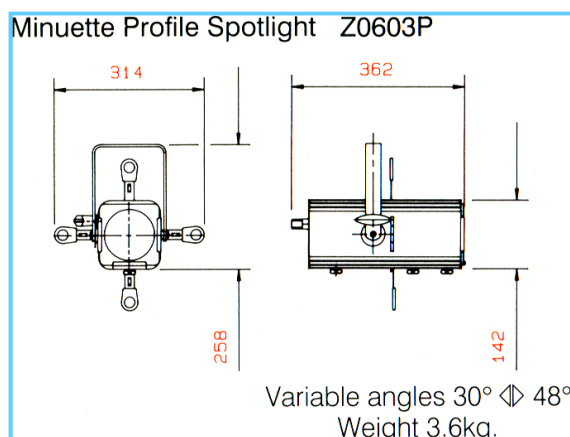
Typical performance based on calibrated T27 650 w C13D bi plane 400 hr 3100K 14,500 Lumen

CCT Minuette Z0603P 30-48 Condenser Variable Beam Profile (650W 14,500lm)									
Minimum angle					Maximum angle				
Peak candela (cd)	15,000				Peak candela (cd)	10,000			
Beam Angle (*)	27.0				Beam Angle (*)	32.0			
Cut off angle (*)	30.0				Cut off angle (*)	48.0			
Distance (m)	3	6	9	12	Distance (m)	3	6	9	12
Cut off dia (m)	1.62	3.24	4.86	6.48	Cut off dia (m)	2.67	3.90	5.85	7.80
Peak Illumination (Lux)	1,666	416	185	104	Peak Illumination (Lux)	1,111	277	123	69

All photometric data given is indicative of typical performance only. Specifications and materials may be changed without prior notice. Field angle where intensity drops to 10% of peak lux. Beam angle where intensity drops to 50% of peak lux . Cut off angle where intensity drops to zero of peak lux

Reference Information

Weight 3.6 kg



Accessories

Y0122	Scenic Gobo Holder
Z0100	Rotatable Gobo Holder
Z0433	Minuette Iris
Y0016	T18/T25 500w lamp
Y0018	T26/T27 650w lamp
Y0012	M38 300w lamp
Y0014	M40 500w lamp
Y0057	10mm Spigot
Z0431	Colour frame
Y0083	Hook clamp
Y0082	Safety bond