

## FAULT FINDING

Sympton	Possible Fault	Cure
No light	No lamp Faulty lamp No power  check Shutters fully in	Fit lamp. Fit new lamp. Check supply and spotlight cable.  Extend shutters
Uneven light	Lamp adjustment Knob moved Lamp not fully seated in holder	Check lamp Adjustment Check lamp in lampholder observing safety precautions

## MAINTENANCE

To clean reflector and condenser lens.  
Open lamphouse and remove lamp, observing safety precautions, leave lenses to cool. Wipe surfaces with a damp cloth to which a little detergent has been added.

### To clean lenses :

1. Remove shutter blades (if used)
2. Open top lens door
3. Clean rear lens with damp cloth
4. Move rear lens back to gain access to rear of front lens.
5. Replace lens door
6. Replace shutter blades (if used)

## CAUTION

Damaged lenses or UV safety screens **MUST** be replaced before luminaire is used.

- (a) When replacing or adjusting a lamp, the product, with particular attention to all internal and external wiring, should be inspected and any faults corrected.
- (b) At least once every twelve months the product, if portable, should be bench inspected for electrical and mechanical wear and damage. If not portable this inspection should be carried out in situ.
- (c) Depending upon usage, internal and external wiring will deteriorate in time and should be replaced at the first indication of wear or aging.
- (d) Product can be returned to any CCT service representative for repair and or maintenance. Spare and replacement parts can be supplied for use by other competent service technicians available to the user.

Finally ...

CHECK CABLE AND PLUG FOR ANY SIGNS OF DAMAGE  
REPLACE DAMAGED PARTS IMMEDIATELY.

CCT Theatre Lighting Limited, is constantly developing, improving and changing its product line. All descriptions and specifications in this publication present only general particulars and shall not form any part of any contract. The right is reserved to change the specification without prior notification.

## ACCESSORIES

- Z0100 Drop-in rotatable gobo holder
- Z0011 Extra colour frame
- Y0082 Safety bond
- Y0058 12mm Spigot
- Z0076 12mm TV Spigot
- Z0019 4 way hand operated colour change

### GENERAL USER INFORMATION

CCT products, unless specifically stated otherwise, are intended for lighting purposes only. Follow the information given on the specific product information sheet. The Company will not accept responsibility for any injury, damage or loss which may arise as a result of incorrect operation or maintenance.

Ensure that the rated voltage of the luminaire is compatible with the mains supply to be used. Installation should be carried out in accordance with local wiring regulations (e.g. in the U.K. these are the "Regulations for Electrical Installation" published by the Institution of Electrical Engineers). The electricity supply should be switched off before any electrical work is undertaken including maintenance, replacing a fuse or lamp.

Unless otherwise marked on the luminaire, all CCT luminaires are designed for operation in a maximum ambient temperature of 45°C for indoor use.

Unless otherwise marked on the luminaire, all CCT luminaires are for use in normal indoor conditions (IP20).

Luminaires should not be used in damp, dusty or corrosive situations. Observe the correct polarity when making connections to the mains supply and follow all specific wiring instructions. Observe mounting limits imposed by mounting surface material.

Observe temperature limits imposed by mounting surface material. Follow specific CCT lamp instructions as well as those of the lamp manufacturer. Observe luminaire maximum wattage limitations.

The lamp holders used in CCT luminaires are not designed to receive "life adaptors" or similar devices. The Company can accept no liability for the installation or use of such devices or for any loss or damage whatsoever, nor for any death or personal injury which may arise in consequence of the installation or use of any such devices within CCT luminaires. CCT luminaires must not be covered by heat insulating material or by any other material which prevents proper heat dissipation. Luminaire enclosures must not be opened immediately after switching off and adequate time must be allowed for lamps, ballasts, etc., to cool.

Observe carefully the limitation on the minimum distance from the lighting surface or object. Failed lamps should be replaced promptly and the luminaire should be switched off as soon as lamp failure is noted to avoid damage.

Only replacement components authorised by CCT may be used. Unless otherwise stated CCT luminaires are designed for direct connection to a standard mains supply as marked on the luminaire. Servicing, e.g. cleaning, Lamp or fuse replacement, etc., should only be carried out after luminaire has been made electrically safe.

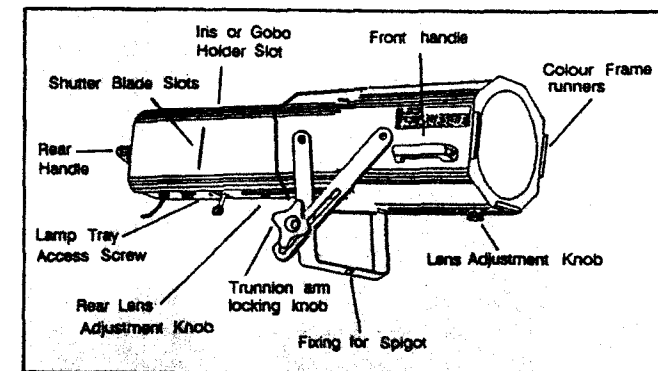
Cleaning should be carried out at regular intervals for hygienic reasons and to ensure that dirt does not accumulate to an extent that will impair the electrical and or thermal safety of the luminaire or product. Regular cleaning will also ensure that the optical performance is maintained.

# CCT lighting

## USER INFORMATION

Leaflet Ref : W0607FS

Jan '90



## Minuette Pursuit Followspot

Order Code Z0608FS  
110/120V 220/240V

### WARNING - BEFORE USE :-

- (a) Read CCT Lighting User Instruction General Sheet.
- (b) Read these instructions.
- (c) Inspect product for damage upon removal from its carton.
- (d) Ensure that external supply wiring and socket (if to be used) is properly installed and protected.

**THIS INFORMATION IS GIVEN IN THE BEST INTERESTS OF:**  
Safety, Handling, Installation, Use and Maintenance of products sold by CCT lighting.

Instructions relevant to each product will be found in the carton in which the product is supplied. They must be carefully read before any attempt is made to use and or install the product. The instruction sheet should be retained for further reference. Additional copies are available on request.

In the UK, installers and users are obliged under the "Health and Safety at Work Act" to ensure that they are acquainted with information supplied with the product and are fully aware of any precautions that need to be taken.

CCT products are designed to conform to the requirements of UK law and to the requirements of relevant national and international standards.

CCT Lighting (UK) Limited  
Unit 3 Ellesmere Business Park  
Haydn Road, Sherwood  
Nottingham  
NG5 1DX  
Tel: 44 (0)115 985 8919  
Fax: 44 (0)115 985 7091  
Email: office@cctlighting.co.uk  
Website: www.cctlighting.com

### SPECIAL NOTE

CCT products should not be modified. Any modification may render the product unsafe and will invalidate any safety/approval marks. CCT Theatre Lighting Limited, will not accept any responsibility for any damage caused as a result of their modification.

### INSTALLATION

Installation of CCT products should be carried out only by competent persons in accordance with instructions supplied with the luminaire and/or accessory. If in any doubt, consult a suitably qualified person.

### LAMP FITTING

Suitable lamps - base **MUST** be GY9.5

220/240V 500W T/18, T/25 or equivalent

650W T/26, T/27 or equivalent

110/120V 500W T/18

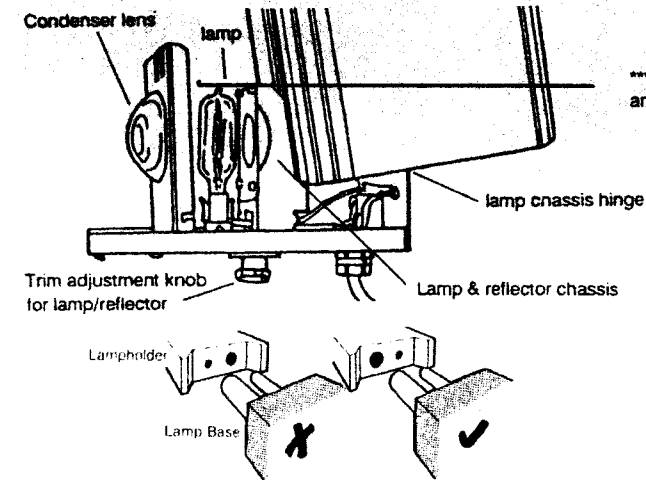
650W T/26

Damaged or thermally deformed lamps **MUST NOT** be used. Lamp manufacturers instructions must be followed at all times.



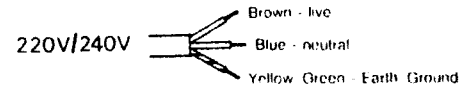
Never attempt to insert a lamp with the spotlight connected to a dimmer circuit or to mains. Before opening the spotlight unplug the power cable. Failure to observe this precaution **MAY RESULT IN SEVERE BURNS.**

Do not touch the lamp surface - use the disposable glove or shield provided with the new lamp when fitting it into the lampholder. When changing a recently failed lamp, allow time for the lamp and condenser lens to cool before removing it from the spotlight



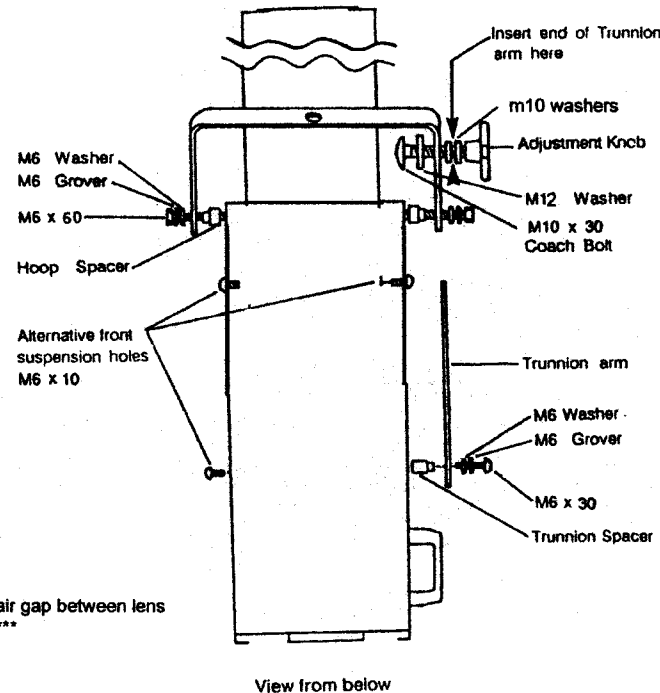
### FITTING PLUG

A suitable plug of at least 5A(220\240V) rating should be fitted to the spotlight power cable, observing the connection colour code as follows:



### MOUNTING

The follow spot is designed to be mounted with yoke below only. For packing the trunnion arm has been partially disassembled and must be reassembled.



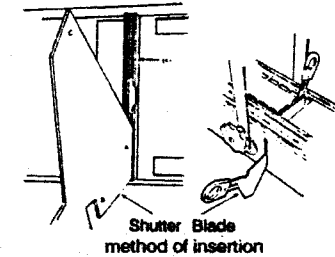
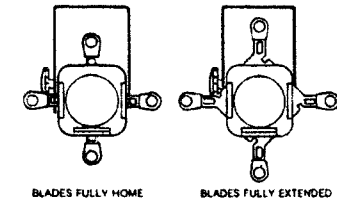
The follow spot may be arranged for left hand operation as below.

1. Unscrew the M6 x 60 bolts and remove the yoke and the M6 x 30 pan screws to remove the trunnion arm.
2. Unscrew the screw blanking the threads on the left hand side of the follow spot.
3. Reassemble using these left hand side holes and blank off the right hand side ones.
4. Similarly transfer the side handle to the left hand side.

If the follow spot is to be used with the hand operated colour magazine (optional extra Z0019) better balance is gained by mounting the yoke from the alternative front suspensions holes.

### INSERTING SHUTTER SETS

The follow spot has a built in iris with follow on blackout. Further beam shaping is provided by use of the 4 shutter blades provided.



5. To allow maximum light output withdraw all blades to their full extent and fully open iris.

### LUMINAIRE MAXIMUM SURFACE TEMPERATURE (MST)

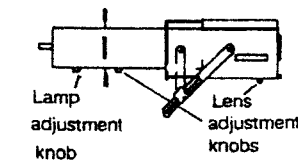
Maximum after 5 minutes 115 degree C

Maximum at steady state 200 degree C

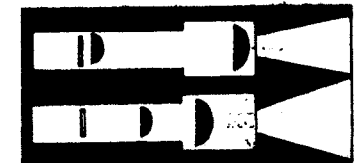
### FOCUS AND LAMP AJUSTMENT

The lens system allows variable beam spread and should be used to set the required beam size, before trimming with the shutters or the iris.

The lenses are moved by first loosening the lens adjustment knobs and then sliding the knobs to the required positions. When the desired setting is achieved, the knobs are tightened to secure the lenses. Beam softening can be affected by slight adjustments to the rear knob.



Minimum distance from lighted object



The lamp adjustment knob allows the quality of the spotlight beam to be controlled, from "peak to flat". The knob should be moved gently while the lamp is powered, to preserve lamp life.