

Z0608FS Minuette 6-14 Pursuit Follow Spot

The smallest and for its size the most efficient Follow spot on the market

The 150mm front lens coupled with condenser optics ensures a performance which is surprising in a 650w unit . Ideal for small venues, schools and clubs.

Features of this unit include :-

Built in iris and blackout with the lever beneath the unit for ease of operation.

Four beam shaping shutters.

Quadrant friction balancing.

Side and rear operating handles.

Optional extra Accessory Colour change magazine (as shown in the photograph not part of the standard unit)

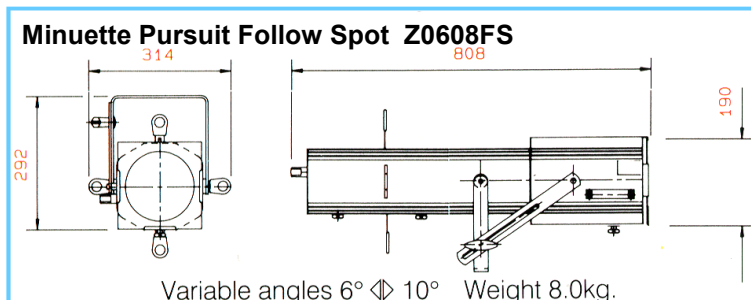
Typical performance based on calibrated T27 650 w C13D bi plane 400 hr 3100K 14,500 Lumen

CCT Minuette Z0608FS 6-14 Pursuit Follow Spot (650W 14,500lm)									
Minimum angle					Maximum angle				
Peak candela (cd)	188,550				Peak candela (cd)	36,000			
Beam Angle (*)	5.0				Beam Angle (*)	12.0			
Cut off angle (*)	6.0				Cut off angle (*)	14			
Distance (m)	3	6	9	12	Distance (m)	3	6	9	12
Cut off dia (m)	0.66	0.99	1.32	1.65	Cut off dia (m)	1.50	2.25	3.00	3.75
Peak Illumination (Lux)	5,236	2,327	1,309	338	Peak Illumination (Lux)	1,000	444	250	160

All photometric data given is indicative of typical performance only. Specifications and materials may be changed without prior notice. Field angle where intensity drops to 10% of peak lux. Beam angle where intensity drops to 50% of peak lux . Cut off angle where intensity drops to zero of peak lux

Reference Information

Weight 8.0 kg



Accessories

Y0122	Scenic Gobo Holder
Z0100	Rotatable Gobo Holder
Z0019	4 Leaf Colour Change
Y0016	T18/T25 500w lamp
Y0018	T26/T27 650w lamp
Y0012	M38 300w lamp
Y0014	M40 500w lamp
Y0057	10mm Spigot
Z0011	Colour frame
Y0083	Hook clamp
Y0082	Safety bond