



Z0050 Starlette 6-57 1000w/1200w Fresnel

This high performance rugged unit with a wide range of beam angles from its 150mm Lens coupled with a soft edged beam is ideal for all 'On-Stage' work.

The Lead Screw focus control is very accurate and smooth and as the drive is external no special lubrication is necessary. Our system prevents the jamming which can occur on the lead screw of some competing products.

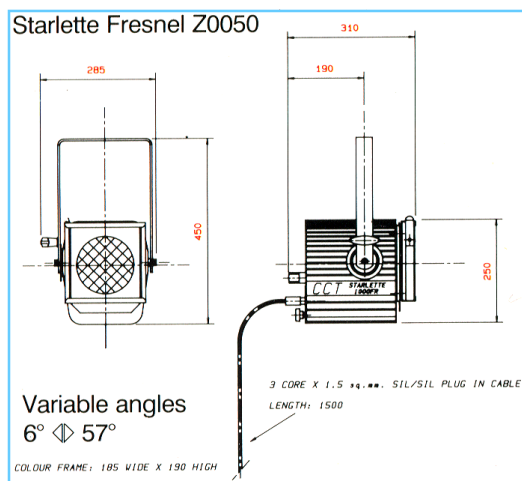
A hinged bottom tray, which ejects the CEE connector, allows easy access for lamp changing and the plug can be kept next to the lantern by passing the cable through the rear handle

Typical performance based on Calibrated :- T29 1200w 240v C13D 400hr 3050k 30,000lumen

CCT Starlette (1000W/1200w) Fresnel									
Minimum angle					Maximum angle				
Peak candela (cd)	156,000				Peak candela (cd)	17,750			
Distance (m)	3	6	9	12	Distance (m)	3	6	9	12
Cut off dia (m)	0.30	0.60	0.90	1.20	Cut off dia (m)	3.24	6.48	9.72	12.96
Peak Illumination (Lux)	17,355	4,336	1,925	1,085	Peak Illumination (Lux)	1,970	495	220	125

All photometric data given is indicative of typical performance only. Specifications and materials may be changed without prior notice. Field angle where intensity drops to 10% of peak lux. Beam angle where intensity drops to 50% of peak lux. Cut off dia where intensity drops to zero of peak lux

Reference Information Weight 6.8 kg



Accessories	
Z0051	4 leaf rotatable Barndoor
Y0020	T19 1000w lamp
Y0015	T29 1200w lamp
Y0057	10mm Spigot
Z0011	Colour frame
Y0083	Hook clamp
Y0082	Safety bond