



Z0052 Starlette 7-38 1000w/1200w Pebble convex

The pebble convex unit gives a beam which is soft edged but better defined than a fresnel unit with very little light outside the main beam area. When used with the Barn Door attachment the edge shaping is more defined than with a fresnel. This allows these units to be used for short throw 'Front of House' positions, as well as on stage. Lead screw focus and lamp change is the same as the fresnel unit.

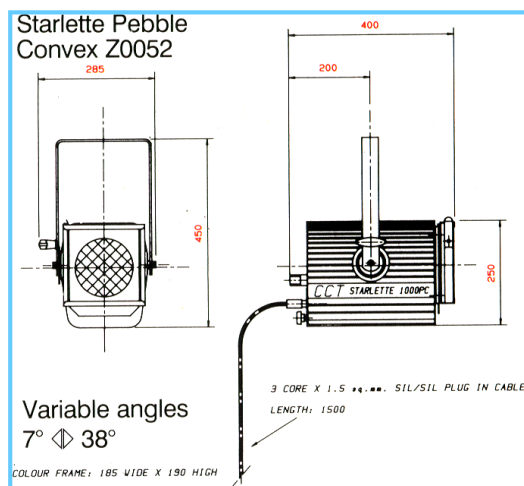
Typical performance based on Calibrated :- T29 1200w 240v C13D 400hr 3050k 30,000lumen

CCT Starlette (1000W/1200w) Pebble convex									
Minimum angle					Maximum angle				
Peak candela (cd)	152,500				Peak candela (cd)	18,300			
Distance (m)	6	9	12	15	Distance (m)	6	9	12	15
Cut off dia (m)	0.72	1.08	1.44	1.80	Cut off dia (m)	4.14	6.21	8.28	10.35
Peak Illumination (Lux)	4,236	1,882	1,059	677	Peak Illumination (Lux)	508	225	127	81

All photometric data given is indicative of typical performance only. Specifications and materials may be changed without prior notice. Field angle where intensity drops to 10% of peak lux. Beam angle where intensity drops to 50% of peak lux. Cut off dia where intensity drops to zero of peak lux

Reference Information

Weight 8.2 kg



Accessories	
Z0051	4 leaf rotatable Barndoor
Y0020	T19 1000w lamp
Y0015	T29 1200w lamp
Y0057	10mm Spigot
Z0011	Colour frame
Y0083	Hook clamp
Y0082	Safety bond