

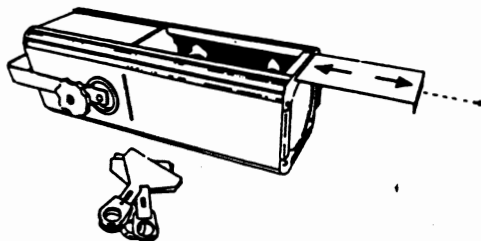
FAULT FINDING

Symptom	Possible Fault	Cure
No light	No lamp Faulty lamp No power Shutters Fully in	Fit lamp Fit new lamp Check supply and spotlight cable Check circuit fuse Extend shutters
Uneven light	Lamp adjustment knob moved Lamp not fully seated in holder	Check lamp Adjustment Check lamp lampholder, observing safety precautions

MAINTENANCE

To Clean Reflector:

Open lamp house and remove lamp, observing safety precautions. Wipe reflector surface with damp cloth to which a little detergent has been added.



To Clean Lenses:

1. Remove Shutters.
2. Remove top centre screw from front of spot.
3. Pull top baffle plate released by screw forward as far as possible noting that plate is retained by internal flanges.
4. Clean lenses with damp cloth.
5. Slide top baffle plate back to its original position and replace retaining screw.
6. Replace shutter blades.

Finally.....

CHECK CABLE AND PLUG FOR ANY SIGNS OF DAMAGE.
REPLACE DAMAGED PARTS IMMEDIATELY.

CAUTION

Damaged lenses or Uv safety Screens MUST be replaced before luminaire is used.

ACCESSORIES

Z0433	Drop-in iris
Z0100	Roto gobo holder
Z0431	Extra filter frame
Y0082	Black safety bond
Y0083	Hook clamp

GENERAL USER INFORMATION

CCT products, unless specifically stated otherwise, are intended for lighting purposes only.

Follow the information given on the specific product information sheet.

The Company will not accept responsibility for any injury, damage or loss which may arise as a result of incorrect operation or maintenance.

Ensure that the rated voltage of the luminaire is compatible with the mains supply to be used.

Installation should be carried out in accordance with local wiring regulations (e.g. in the U.K. these are the "Regulations for Electrical Installation" published by the Institution of Electrical Engineers).

The electricity supply should be switched off before any electrical work is undertaken including maintenance, replacing a fuse or lamp.

Unless otherwise marked on the luminaire, all CCT luminaire are designed for operation in a maximum ambient temperature of 45°C for indoor use.

Unless otherwise marked on the luminaire, all CCT luminaires are for use in normal indoor conditions (IP20).

Luminaires should not be used in damp, dusty or corrosive situations.

Observe the correct polarity when making connections to the mains supply and follow all specific wiring instructions.

Observe mounting limits imposed by mounting surface material.

Observe temperature limits imposed by mounting surface material.

Follow specific CCT lamp instructions as well as those of the lamp manufacturer.

Observe luminaire maximum wattage limitations.

The lampholders used in CCT luminaires are not designed to receive "life adapters" or similar devices.

The Company can accept no liability for the installation or use of such devices or for any loss or damage whatsoever, nor for any death or personal injury which may arise in consequence of the installation or use of any such devices within CCT luminaires.

CCT luminaires must not be covered by heat insulating material or by any other material which prevents proper heat dissipation.

Luminaire enclosures must not be opened immediately after switching off and adequate time must be allowed for lamps, ballasts, etc., to cool.

Observe carefully the limitation on the minimum distance from the lighting surface or object.

Failed lamps should be replaced promptly and the luminaire should be switched off as soon as lamp failure is noted to avoid damage.

Only replacement components authorised by CCT may be used.

Unless otherwise stated CCT luminaires are designed for direct connection to a standard mains supply as marked on the luminaire.

Servicing, e.g. cleaning, lamp or fuse replacement, etc., should only be carried out after luminaire has been made electrically safe.

Cleaning should be carried out at regular intervals for hygienic reasons and to ensure that dirt does not accumulate to an extent that will impair the electrical and or thermal safety of the luminaire or product.

Regular cleaning will also ensure that the optical performance is maintained.

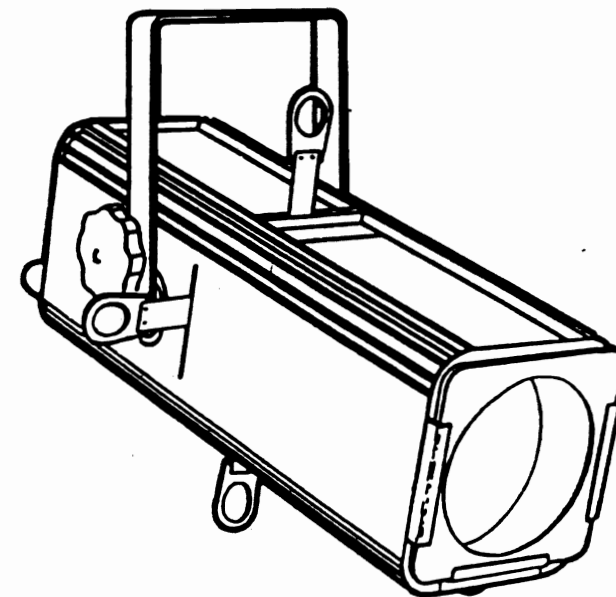
CCT LIGHTING

CCT LIGHTING (UK) LTD
UNIT 3, ELLESMERE BUSINESS PARK
HAYDN ROAD
NOTTINGHAM
NG5 1DX.
TEL.0115 9858919
FAX.0115 9857091

CCT LIGHTING

USER INSTRUCTIONS

FEBRUARY 2003

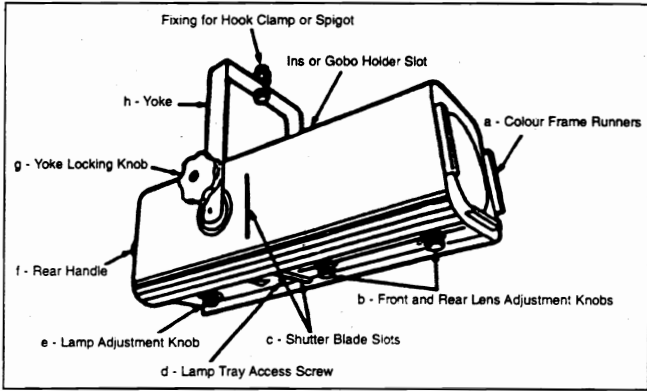


Minuette Profile Spotlight

Order Code **Z0602**

CONTENTS

- 1 Z0602 Minuette variable beam 300/650W Spotlight
- 1 Z0431 Minuette colour frame
- 1 SET Beam-shaping shutter set (4)
- 1 L1701 Nut, bolt and washer set



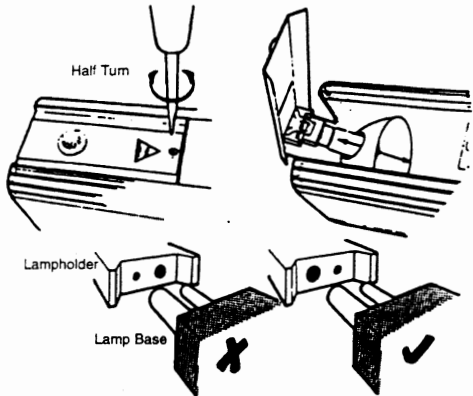
LAMP FITTING

SUITABLE LAMPS - Base **MUST** be GY 9.5
 220V / 240V 300W M38, 500W M40 (Suitable only for static display use)
 500W T/18, T/25 or equivalent
 650W T/26, T/27 or equivalent
 115V/120V 500W T/18

Damaged or thermally deformed lamps **MUST NOT** be used.
 Lamp manufacturers instructions must be followed at all times.

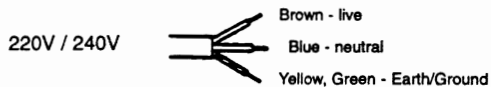


NEVER attempt to insert a lamp with the spotlight connected to a dimmer circuit or to mains. Before opening the spotlight, UNPLUG the power cable.
 Do not touch the lamp surface - use the disposable glove or shield provided with the new lamp when fitting it into the lampholder. When changing a recently-failed lamp, allow time for the lamp to cool before removing it from the spotlight.
 Failure to observe this precaution **MAY RESULT IN SEVERE BURNS.**



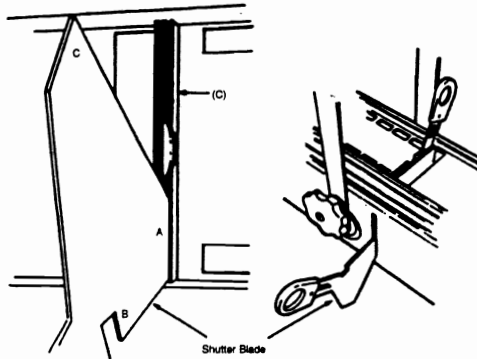
FITTING PLUG

A suitable plug of at least 5A(220/240V) rating should be fitted the spotlight power cable, observing the connection colour code as follows:

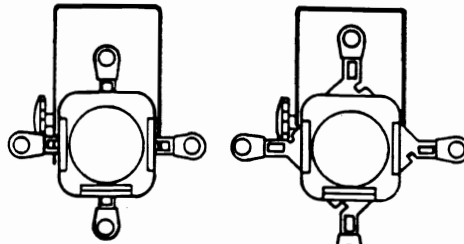


INSERTING SHUTTER BLADES:

1. Insert corner A between semi-circular notches in shutter blade slot (c).
2. Push blade in until notch B engages in extreme edge of slot.
3. This will allow clearance for corner C to be rotated fully into the housing.



4. Repeat in rotation until all shutter blades are securely home. The situation below can only be achieved if each shutter blade is correctly inserted.

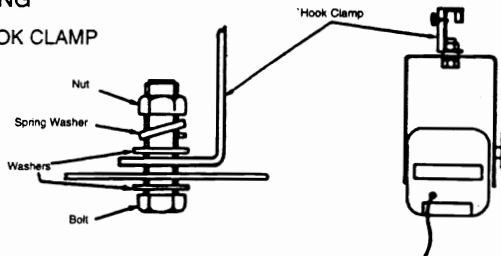


BLADES FULLY HOME BLADES FULLY EXTENDED

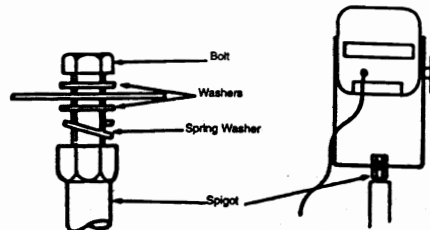
5. To allow for maximum light output withdraw all blades to their fully extended positions.

MOUNTING

WITH HOOK CLAMP



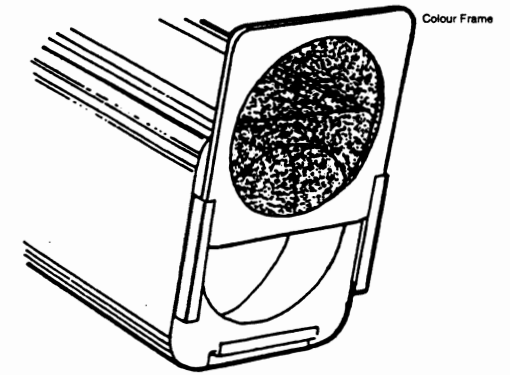
WITH SPIGOT



LUMINAIRE MAXIMUM SURFACE TEMPERATURE (MST)

Maximum after 5 minutes 115°C
 Maximum at Steady State 200°C

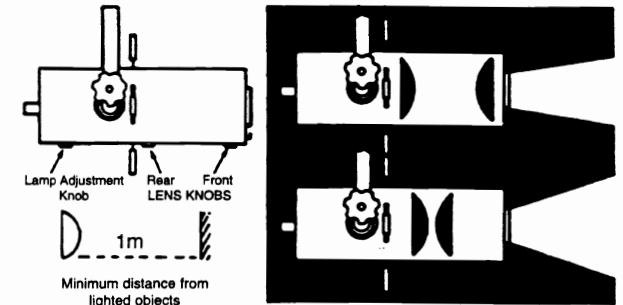
INSERTING COLOUR FRAME



FOCUS AND LAMP ADJUSTMENTS

the lens system allows variable beam spread and should be used to set the required beam size, before trimming with the shutters or an iris.

The lenses are moved by first loosening the lens adjustment knobs and then sliding the knobs to the required positions. When the desired setting is achieved, the knobs are tightened to secure the lenses. Beam softening can be affected by slight adjustments to the rear lens knob.



The lamp adjustment knob allows the quality of the spotlight beam to be controlled, from "peaky to flat". The knob should be moved gently while the lamp is powered, to preserve lamp life.

