



Z0644 Minuette 10\leftrightarrow59 deg Pebble Convex Spotlight

The Pebble convex Luminaire was pioneered by CCT in the early 1980's. It was developed to overcome the problem of filament striation at the narrow beam on Plano convex spotlights. This latest version with increased light output achieves this with a smooth, even light through the complete beam angle range, with practically no halation outside the beam

Making this an ideal unit for Auditorium box positions, and front of house bars as well as its on stage use. The beam angle is adjusted by a heat resistant knob under the unit. Sliding this towards the lens increases the beam angle-away from the lens reduces it.

A four leaf rotatable barn door is an optional accessory which can be used to further shape the beam

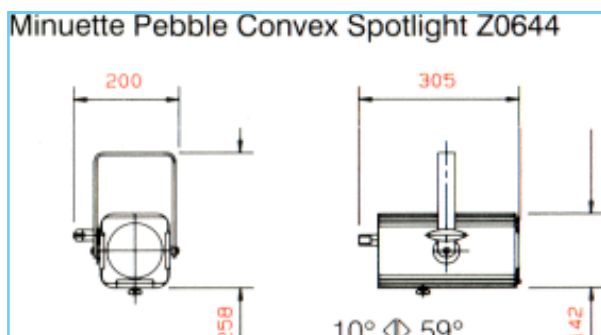
Typical performance based on calibrated T27 650 w 240v C13D bi plane 400 hr 3100K 14,500

CCT Minuette Z0644 Pebble Convex (650W 14,500 lm)									
Minimum angle					Maximum angle				
Peak candela (cd)	107,700				Peak candela (cd)	6,300			
Beam Angle (°)	7.5				Beam Angle (°)	47.0			
Cut off angle (°)	10.0				Cut off angle (°)	58.0			
Distance (m)	3	6	9	12	Distance (m)	3	6	9	12
Cut off dia (m)	0.39	0.78	1.17	1.56	Cut off dia (m)	2.61	5.22	7.83	10.44
Peak Illumination (Lux)	11,967	2,991	1,329	748	Peak Illumination (Lux)	700	175	78	44

All photometric data given is indicative of typical performance only. Specifications and materials may be changed without prior notice. Field angle where intensity drops to 10% of peak lux. Beam angle where intensity drops to 50% of peak lux . Cut off angle where intensity drops to zero of peak lux

Reference Information

Weight 2.5 kg



Accessories	
Z0043	4 leaf Barndoor
Y0016	T18/T25 500w lamp
Y0018	T26/T27 650w lamp
Y0012	M38 300w lamp
Y0014	M40 500w lamp
Y0057	10mm Spigot
Z0431	Colour frame
Y0083	Hook clamp
Y0082	Safety bond