

MAINTENANCE

Open lamp chassis observing safety precautions. Clean the reflector through the bottom of the lamphouse using a slightly damp cloth to which a little detergent has been added.

Periodic inspection should be carried out, of the lampholder and cable. Any components showing wear or damage should be replaced immediately. Contact your CCT representative for list of spare parts available.

CAUTION

Damaged lenses or UV safety screens **MUST** be replaced before luminaire is used.

(a) When replacing or adjusting a lamp, all internal and external wiring, should be inspected and any faults corrected.

(b) At least once every twelve months the product, if portable, should be bench inspected for electrical and mechanical wear and damage, if not portable this inspection should be carried out in situ.

(c) Depending upon usage, internal and external wiring will deteriorate in time and should be replaced at the first indication of wear or aging.

(d) Product can be returned to any CCT service representative for repair and or maintenance. Spare and replacement parts can be supplied for use by other competent service technicians available to the user.

CCT Lighting Limited, is constantly developing, improving and changing its product line. All descriptions and specifications in this publication present only general particulars and shall not form any part of any contract. The right is reserved to change the specification without prior notification.

Finally:-

CHECK CABLE AND PLUG FOR ANY SIGN OF DAMAGE AND REPLACE DAMAGED PARTS IMMEDIATELY

CCT LIGHTING

UNIT 3 ELLESMERE BUSINESS PARK
HAYDN ROAD, SHERWOOD, NOTTM
TEL: +44(0)115 9858919
FAX: +44(0)115 9857091
E.MAIL: office@cctlighting.co.uk
WEB: cctlighting.com

GENERAL USER INFORMATION

CCT products, unless specifically stated otherwise, are intended for lighting purposes only.

Follow the information given on the specific product information sheet. The Company will not accept responsibility for any injury, damage or loss which may arise as a result of incorrect operation or maintenance. Ensure that the rated voltage of the luminaire is compatible with the mains supply to be used.

Installation should be carried out in accordance with local wiring regulations (e.g. in the U.K. these are the "Regulations for Electrical Installation" published by the Institution of Electrical Engineers).

The electricity supply should be switched off before any electrical work is undertaken including maintenance, replacing a fuse or lamp.

Unless otherwise marked on the luminaire, all CCT luminaire are designed for operation in a maximum ambient temperature of 45°C for indoor use.

Unless otherwise marked on the luminaire, all CCT luminaires are for use in normal indoor conditions (IP20).

Luminaires should not be used in damp, dusty or corrosive situations. Observe the correct polarity when making connections to the mains supply and follow all specific wiring instructions.

Observe mounting limits imposed by mounting surface material.

Observe temperature limits imposed by mounting surface material.

Follow specific CCT lamp instructions as well as those of the lamp manufacturer.

Observe luminaire maximum wattage limitations.

The lampholders used in CCT luminaires are not designed to receive "life adaptors" or similar devices.

The Company can accept no liability for the installation or use of such devices or for any loss or damage whatsoever, nor for any death or personal injury which may arise in consequence of the installation or use of any such devices within CCT luminaires.

CCT luminaires must not be covered by heat insulating material or by any other material which prevents proper heat dissipation.

Luminaire enclosures must not be opened immediately after switching off and adequate time must be allowed for lamps, ballasts, etc., to cool.

Observe carefully the limitation on the minimum distance from the lighting surface or object.

Failed lamps should be replaced promptly and the luminaire should be switched off as soon as lamp failure is noted to avoid damage.

Only replacement components authorised by CCT may be used.

Unless otherwise stated CCT luminaires are designed for direct connection to a standard mains supply as marked on the luminaire.

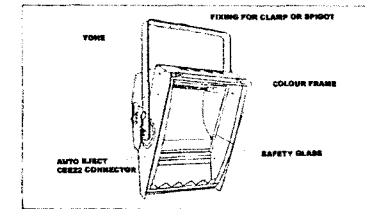
Servicing, e.g. cleaning, lamp or fuse replacement, etc., should only be carried out after luminaire has been made electrically safe.

Cleaning should be carried out at regular intervals for hygienic reasons and to ensure that dirt does not accumulate to an extent that will impair the electrical and or thermal safety of the luminaire or product.

Regular cleaning will also ensure that the optical performance is maintained.

CCT LIGHTING

USER INFORMATION



Starlette Floodlight

Order Codes Z0C96 Single

Z0C97 3 Way Linear

Z0C98 Quad Square

Z0C99 Quad Linear

WARNING ! On first use due to the very high internal temperatures ,curing of coated components may result in the issue of a small amount of harmless smoke.

WARNING - BEFORE USE:-

- Read these instructions.
- inspect product for damage upon removal from this carton.
- Ensure that external supply wiring and socket (if to be used) is properly installed and protected.

THIS INFORMATION IS GIVEN IN THE BEST INTERESTS OF: Safety, Handling, Installation, Use and Maintenance of products sold by CCT Lighting.

instructions relevant to each product will be found in the carton in which the product is supplied. They must be carefully read before any attempt is made to use and/or install the product. The instruction sheet should be retained for further reference. Additional copies are available on request.

In the UK, installers and users are obliged under the "Health and Safety at Work Act" to ensure that they acquainted with information supplied with the product and are fully aware of any precautions that need to be taken.

CCT products are designed to conform to the requirements of UK law and to the requirements of relevant national and international standards.

SPECIAL NOTE

CCT products should not be modified. Any modifications may render the product unsafe and will invalidate any safety approval marks. CCT lighting Limited, will not accept any responsibility for damage caused as a result of their modification.

INSTALLATION

Installation of CCT products should be carried out only by competent persons in accordance with instructions supplied with the luminaire and/or accessory. If in any doubt, consult a suitably qualified person.

LAMP FITTING

Suitable lamps
220/240V **K4 - 1000W**
P2/71 - 1000W
P2/12 - 1250W

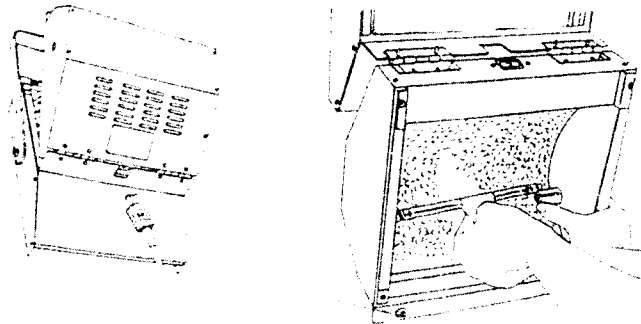
115/120V **FFT - 1000W FDB1500W MAX**

Damaged or thermally deformed lamps **MUST NOT** be used. Lamp manufacturers instructions must be followed at all times.



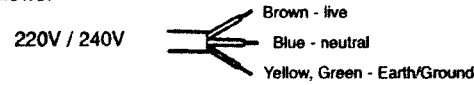
Never attempt to insert a lamp with the spotlight connected to a dimmer circuit or to mains. Before opening the spotlight unplug the power cable.

Do not touch the lamp surface - use the disposable glove or shield provided with the new lamp when fitting it into the lampholder. When changing a recently failed lamp, allow time for the lamp and condenser lens to cool before removing it from the spotlight. Failure to observe this precaution **MAY RESULT IN SEVERE BURNS.**



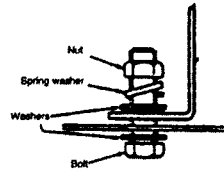
FITTING PLUG

A suitable plug of at least 5A(220/240V) rating should be fitted the spotlight power cable, observing the connection colour code as follows:



MOUNTING

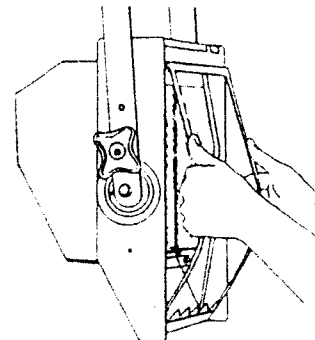
WITH HOOK CLAMP



LUMINAIRE MAXIMUM SURFACE TEMPERATURE (MST)

Maximum after 5 minutes **115 deg C**
maximum at steady state **150 deg C**

INSERTING COLOUR FRAME



ACCESSORIES

Z0C94 Extra single colour frame
Z0C95 Spare safety glass

FAULT FINDING

Symptom	Possible Fault	Cure
No light	No lamp Faulty lamp No power	Fit lamp Fit new lamp Check supply and spotlight cable
Uneven light	Lamp adjustment knob removed Lamp not fully seated in holder	Check lamp adjustment check lamp lampholder, observing safety precautions